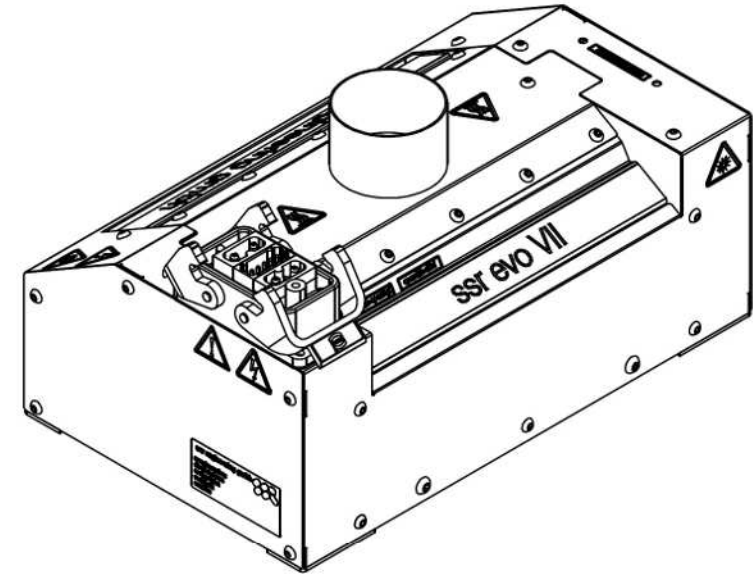
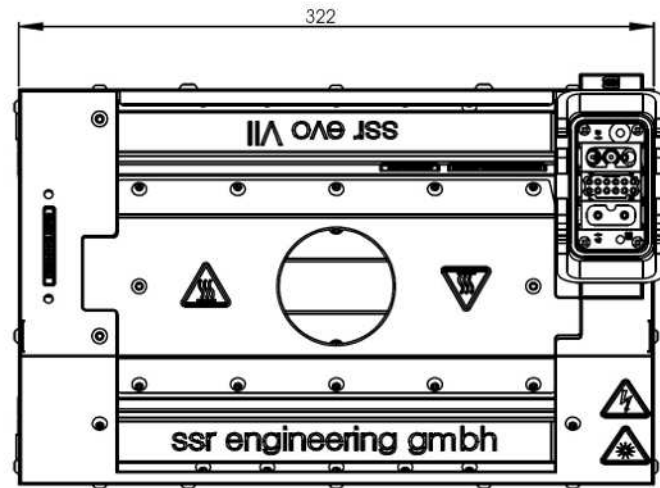
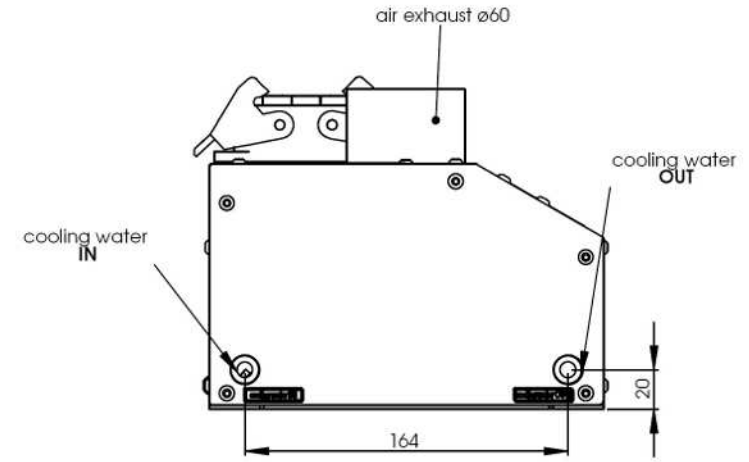
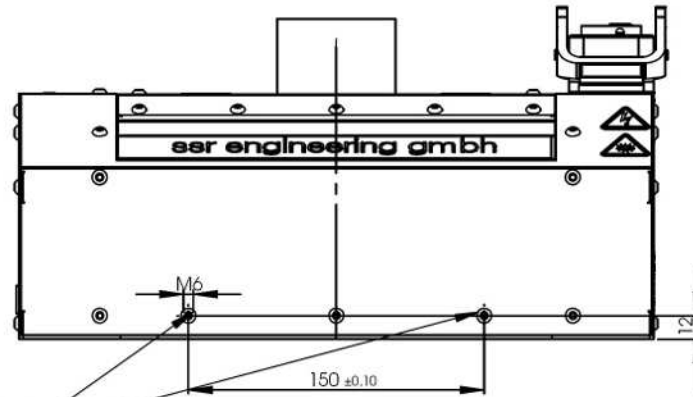



4x M6 mounting screw connection



for this drawing we reserve all rights ssr engineering GmbH Hanscarstr. 1 89557 Lippsdorf - Germany		tolerance: DIN 7167 general tolerance: DIN ISO 2768-mS-E DIN EN ISO 13920-B1 DIN 6930-m	material: E11	weight: 8804,92g	scale: 1:2
		editor: 18.01.08 Schmitt	material: J15	type: sem. SSR	
		certif.:	semifinished part: .	surface: .	
		nom.:	description: ssr evo VII ssr evo VII		
			drawing number: 700100	page: 2	
			item number: 101.000	2/2	
rev.:		date:	replace for: replaced through:		
			 ssr engineering		